

POWER LIMITERS



- **AUTOMATIC POWER LIMITATION**
- **78 x 35 mm**
- **48 x 48 mm**



TP 34

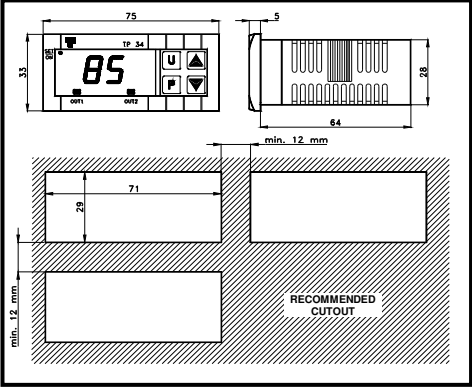


TP 49

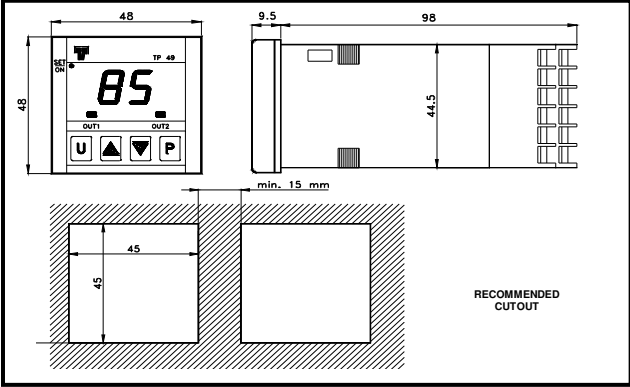
MECHANICAL CHARACTERISTICS	
Housing	Self-extinguishing plastic, UL 94 V0
Dimensions	33x75x64 mm
Weight	175 g approx.
Connections	2,5 mm ² screw terminal block
Mounting	Flush in panel in 29x71 mm hole
Front panel protection	IP 65 mounted in panel with gasket
ELECTRICAL DATA	
Power supply	12 VAC/DC, 24 VDC, 100..240 VAC +/-10%
AC Frequency	50 / 60 Hz
Power consumption	2 VA approx.
Voltage inputs consumption	1 mA max.
INPUT DATA	
Digital input	Up to 2 inputs for free voltage contacts or up to 2 inputs for voltage same value as power supply
Inputs delay time	15 msec. max
OUTPUT DATA	
Relay	Up to 2 relays SPDT (8 A-AC1, 3 A-AC3 / 250 VAC)
Relay electric life	100000 operations
Solid state relay	Up to 2 outputs at 12 VDC / 15 mA for SSR driving
FUNCTIONAL DATA	
Application	Asymmetrical Oscillator Timer (pause-work) with power limitation function
Programmable functions	OUT1 : Asymmetrical Oscillator with start on or start off OUT2 : as OUT1, as OUT1 but in opposite mode, as OUT1 but in opposite mode with insertion of the power limiter
Programmable outputs cycle time	From 1 to 900 seconds
Display	4 red digit h=12 mm
Operating temperature	0...50°C
Operating humidity	30...95 RH% without condensation

DIMENSIONS (mm)

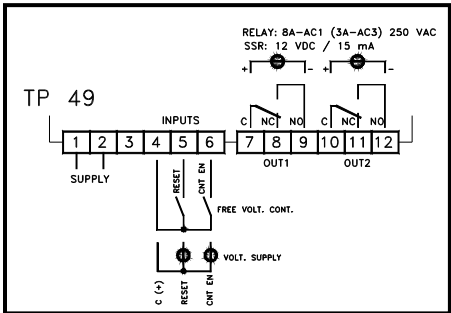
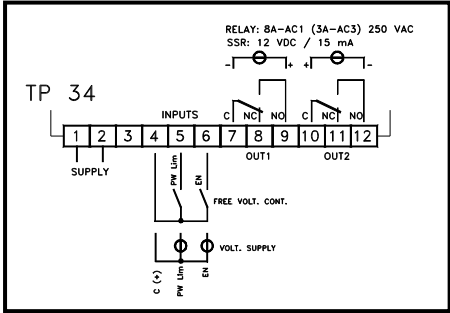
TP 34



TP 49



CONNECTIONS



HOW TO ORDER

TP 49	48 x 48 (1/16 DIN)	
TP 34	33 x 75	
Description	C o d e s	Codes Description
Power supply	F	12 VAC/DC
	L	24 VAC/DC
	H	100..240 VAC
Input signal	V	Voltage as power supply
	C	Free voltage contact
Output OUT1	R	Relay
	O	12 VDC / 15 mA for SSR
Output OUT2	R	Relay
	O	12 VDC / 15 mA for SSR
	-	None